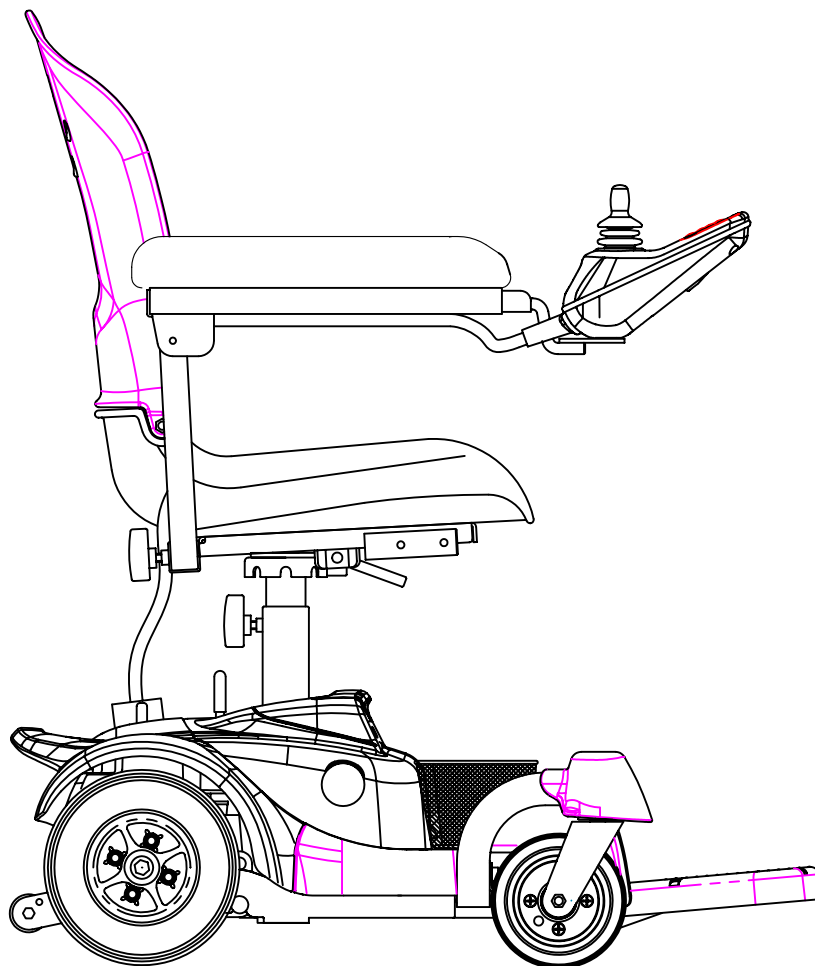




PARTS LIST



Model No.	HS-1500
-----------	---------

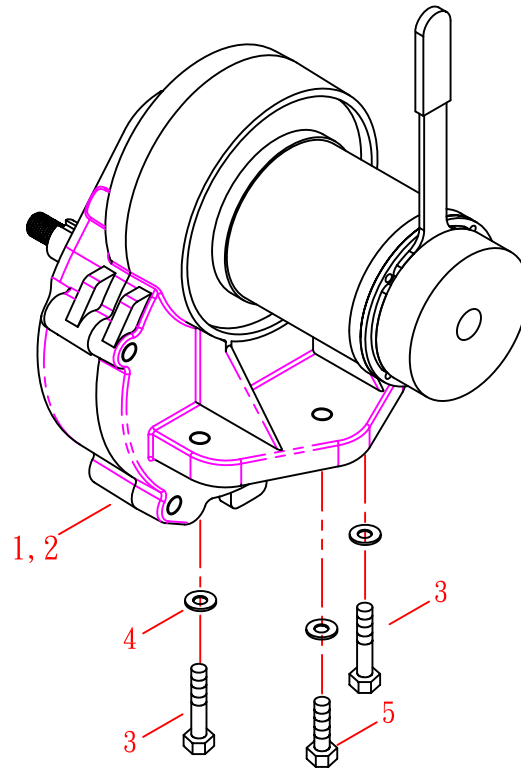
分發單位		
國	外	部
業	務	課
電	腦	室
品	保	部
生	管	課
製	造	課
企		劃
開	發	技
發	術	課
資		訊
承	認	
審	核	
擔	當	



(FIG. 1) MOTOR ASSEMBLY

HS-1500

(修訂日期：97.01.11)

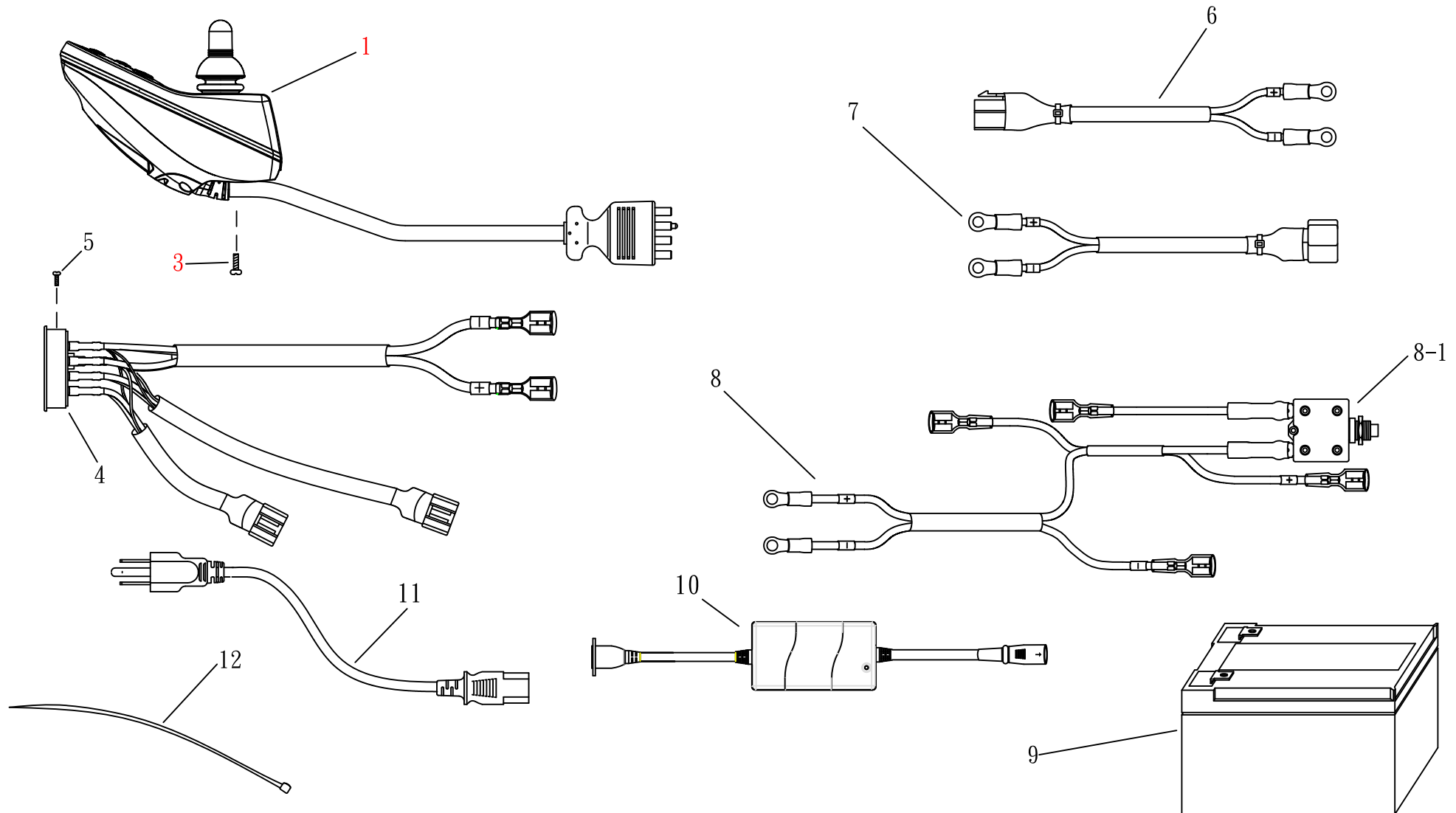




(FIG. 2) ELECTRIC

HS-1500

(修訂日期95.10.25)





(FIG.2)ELECTRIC

HS-1500

2007.10.25

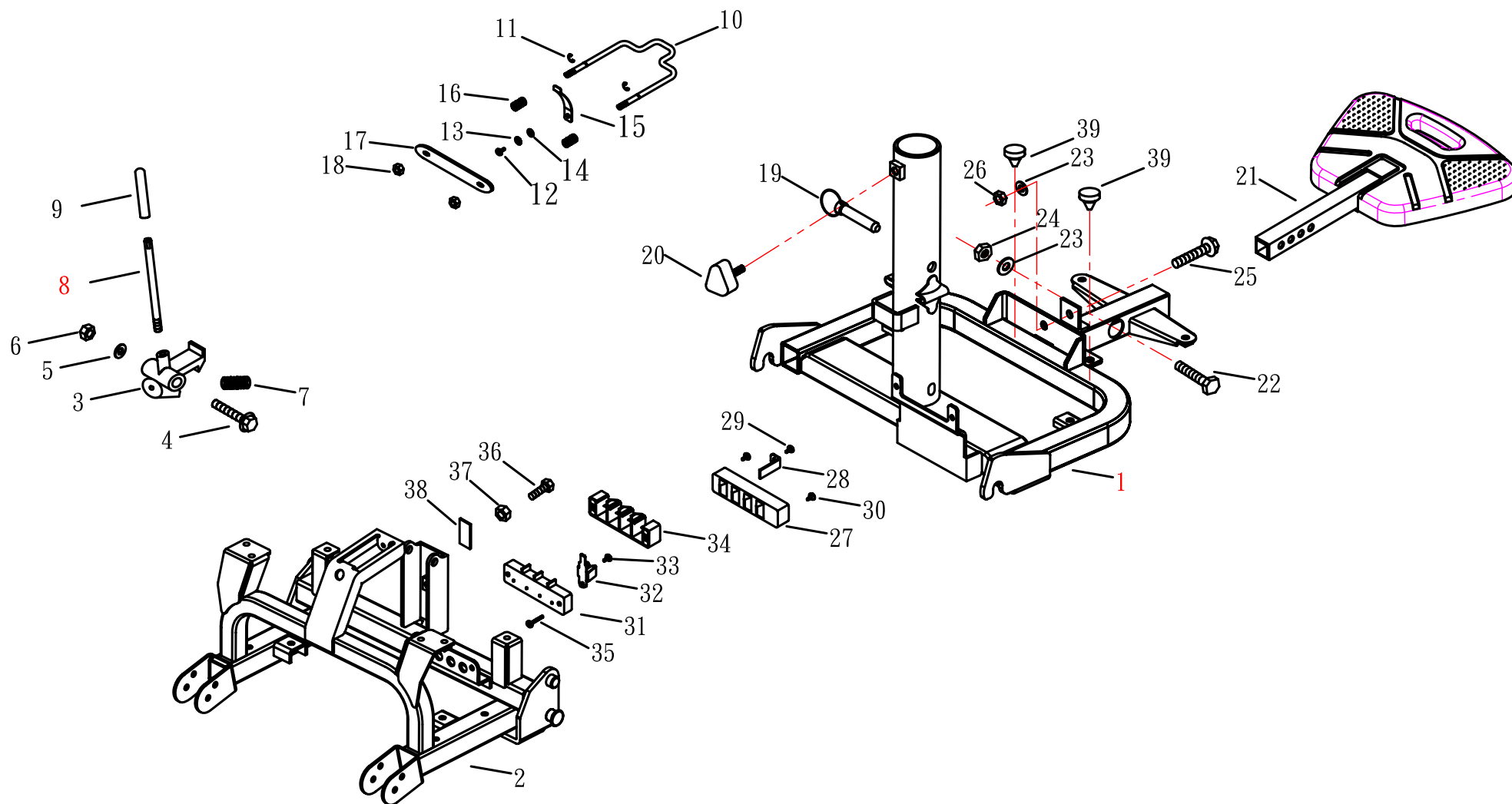
NO	ITEM NUMBER	DESCRIPTION	QTY	Price	NOTE	Modification No
1	517100-15010	DA POWERCHAIR CONTROLLER	1	US\$214.00		DC7-0094
3	501305-01805	BOLT , SHROUD (M5X1 8L)	4	US\$0.08		DC7-0094
4	515000-15000	WIRE, HARNESS 9-Pole	1	US\$0.00		
5	503607-00603	BOLT	2	#N/A		
6	517061-15000	WIRE, BATTERY SERIES	1	US\$2.52		
7	517062-15000	WIRE, BATTERY SERIES	1	US\$2.52		
8	515800-15003	WIRE HARNESS, BATTERY	1	US\$9.00		DC6-0157
8-1	515614-66600	PROTECTOR BREAKER 40.0Amp	1	US\$4.50		
9	513212-29000	LEAD-ACID, BATTERY 12V-12AH	2	US\$27.50		DC7-0054
10	514220-32001	OFF-BOARD DC24V-2.0Amp	1	US\$19.00		
11	514550-66601	WIRE,BATTERY CHARGER	1	US\$3.80	AU	
12	515190-85500	TIE, WIRE HARNESS	4	US\$0.20		



(FIG. 3) FRAME

HS-1500

(修訂日期96.03.06)





(FIG.3) FRAME

HS1500

Revised
Date:2007.03.06
Modification
No

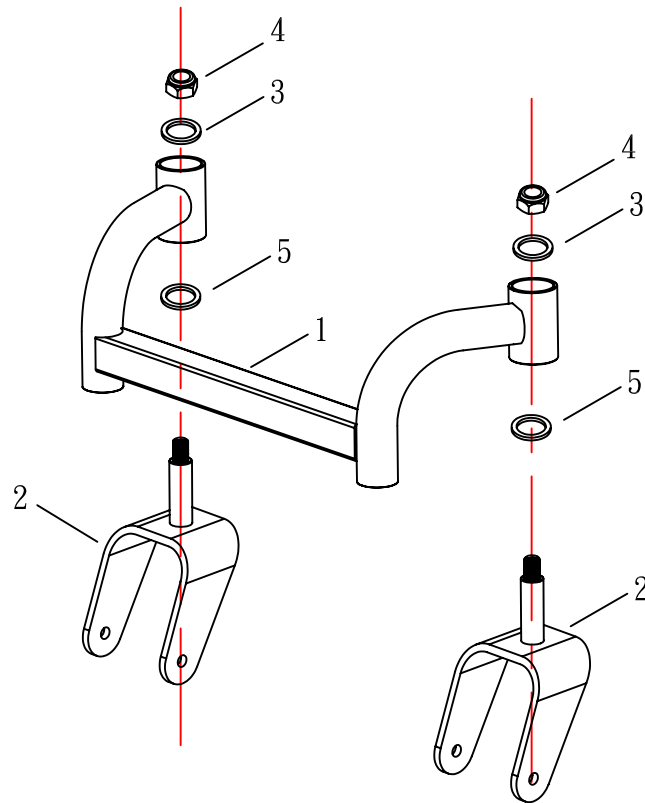
NO	ITEM NUMBER	DESCRIPTION	QTY	Price	NOTE	
1	531100-15000	FRAME COMP. , FRONT	1	US\$61.68		
2	541100-15000	FRAME COMP. , REAR	1	US\$38.48		
3	542641-29500	SPRING WASHER	1	US\$4.72		
4	502308-05073	BOLT (M8X50L)	1	US\$0.66		
5	505308-18003	PLANE WASHER	1	US\$0.02		
6	504500-08133	NYLON NUT	1	US\$0.09		
7	542644-29500	SPRING	1	US\$0.17		
8	542642-29500	LEVER,HOOK	1	US\$0.76		
9	542643-29500	CAP,LEVER	1	US\$0.00		
10	542651-29500	LOCK,BATTERY BOX	1	US\$0.00		
11	506100-05005	C RING	2	US\$0.02		DC6-0106
12	501105-00603	BOLT , SPRING (M5X6L)	1	US\$0.04		
13	505105-09003	SPRING WASHER	1	US\$0.01		
14	505305-10003	PLANE WASHER	1	US\$0.02		
15	542653-29500	SPRING LOADED	1	US\$0.33		
16	542654-29500	SPRING , LOCK BAT	2	US\$0.17		
17	542656-29500	STAY,LOCK BATTERY	1	US\$0.18		
18	504500-05085	NYLON NUT	2	US\$0.05		
19	572420-29500	GUIDE PIN , SEAT HOLDER	1	US\$0.00		
20	573330-29010	SCREW	1	US\$0.46		DC6-0009
21	378300-15001	BASE PEDAL COMP	1	#N/A		DC6-0054
22	502108-03513	BOLT (M8X35L)	1	US\$0.09		

23	505308-18003	WASHER , BRACKET COMP.	2	US\$0.02		
24	504500-08133	NYLON NUT , BOLT FIXED (M8)	1	US\$0.09		
25	502308-05373	BOLT,SWING (M8X53L)	1	US\$0.45		
26	504500-08133	NYLON NUT	1	US\$0.09		
27	542621-29500	HOLDER,TERMINALS B	1	US\$0.70		
28	542632-29501	TERMINALS B	2	US\$1.20		DC5-0098
29	503504-29500	TAPPING SCREW (ψ4X12L)	2	US\$0.10		DC5-0098
30	503505-01201	TAPPING SCREW (ψ5X12L)	2	US\$0.02		
31	542611-29500	HOLDER	1	US\$0.49		
32	542622-29501	TERMINALS A	2	US\$1.90		DC5-0098
33	503504-01205	TAPPING SCREW (ψ4X12L)	2	US\$0.04		
34	542631-29500	HOLDER,TERMINALS A	1	US\$0.42		
35	503505-02501	TAPPING SCREW (ψ5X25L)	2	US\$0.02		
36	502108-03513	BOLT (M8X35L)	1	US\$0.09		
37	504100-08123	NUT	1	US\$0.07		
38	542202-57000	VEL-CRO (32L)	1	US\$0.12		
39	533303-68600	RUBBER , SWING ARM COMP.	2	US\$0.15		



(FIG. 4) STEERING

HS-1500





(FIG.4) STEERING

HS1500

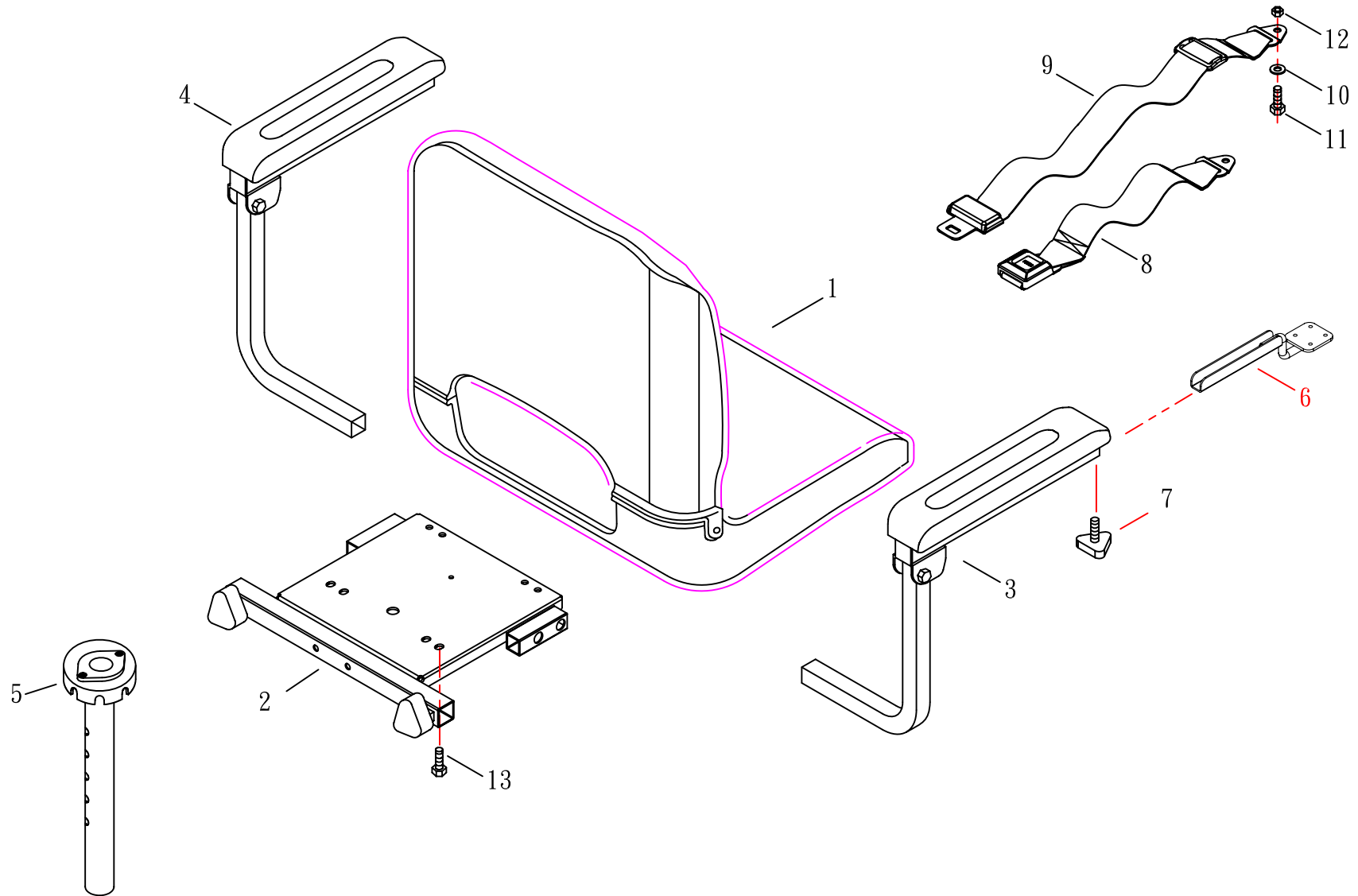
NO	ITEM NUMBER	DESCRIPTION	QTY	Price	NOTE	Modification No
1	333310-15000	SWING ASSEMBLY	1	US\$20.50		
2	536110-15000	FRONT FORK COMP.	2	US\$5.85		
3	505310-22003	PLANE WASHER	2	US\$0.10		
4	504500-10173	NYLON NUT	2	US\$0.30		
5	505315-22003	WASHER	2	US\$0.17		



(FIG. 5) SEAT

HS-1500

(修訂日期：97.01.11)





(FIG.5) SEAT

HS1500

Revised Date :
2008.01.11
Modification
No

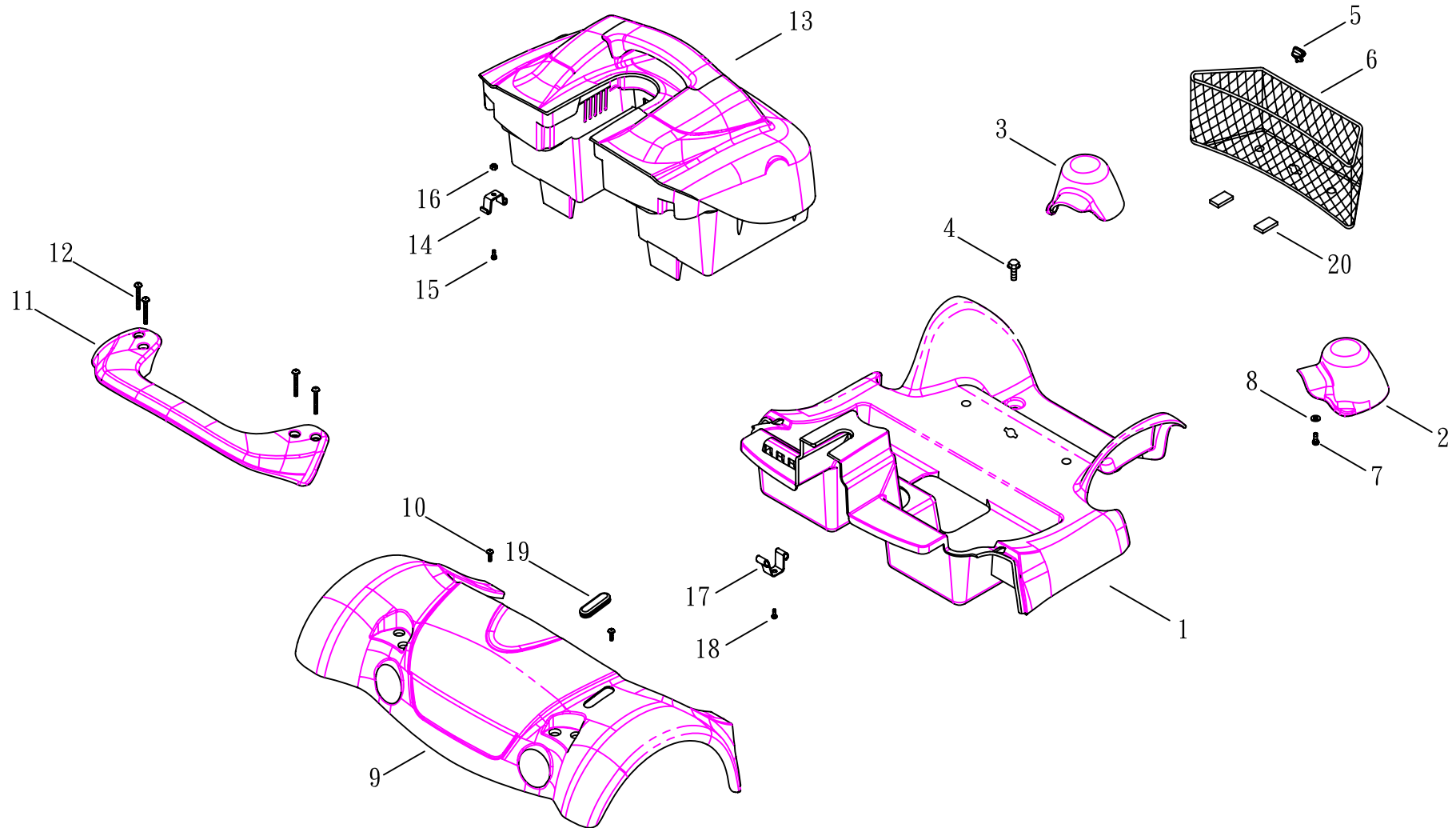
NO	ITEM NUMBER	DESCRIPTION	QTY	Price	NOTE	
1	371100-15000	SEAT ASSEMBLY	1	US\$70.00		DC6-0009
2	372100-15000	BRACKET ASSEMBLY,SEAT	1	US\$40.00		
3	373100-15000	HANDRAIL BRACKET COMP. R	1	US\$16.50		
4	373200-15000	HANDRAIL BRACKET COMP. L	1	US\$16.50		
5	372400-15000	HOLDER ASSEMBLY	1	US\$6.68		DC6-0009
6	573520-15010	BRACKET,CONTROLLER	1	US\$4.50		DC8-0002
7	573330-29000	SCREW	1	US\$0.30		
8	571160-56000	BELT,SEAT L	1	US\$6.80		
9	571150-56000	BELT,SEAT R	1	US\$4.90		
10	505308-18005	PLANE WASHER , BELT	2	US\$0.06		
11	502108-02015	BOLT,BELT (M8×20L)	2	US\$0.11		
12	504500-08135	NYLON NUT (M8)	2	US\$0.03		
13	502108-02015	BOLT , SEAT (M8X20L)	4	US\$0.11		



(FIG. 6) SHROUD

HS-1500

(修訂日期：97.12.20)





(FIG.6) SHROUD

HS1500

Revised
Date:2007.11.13

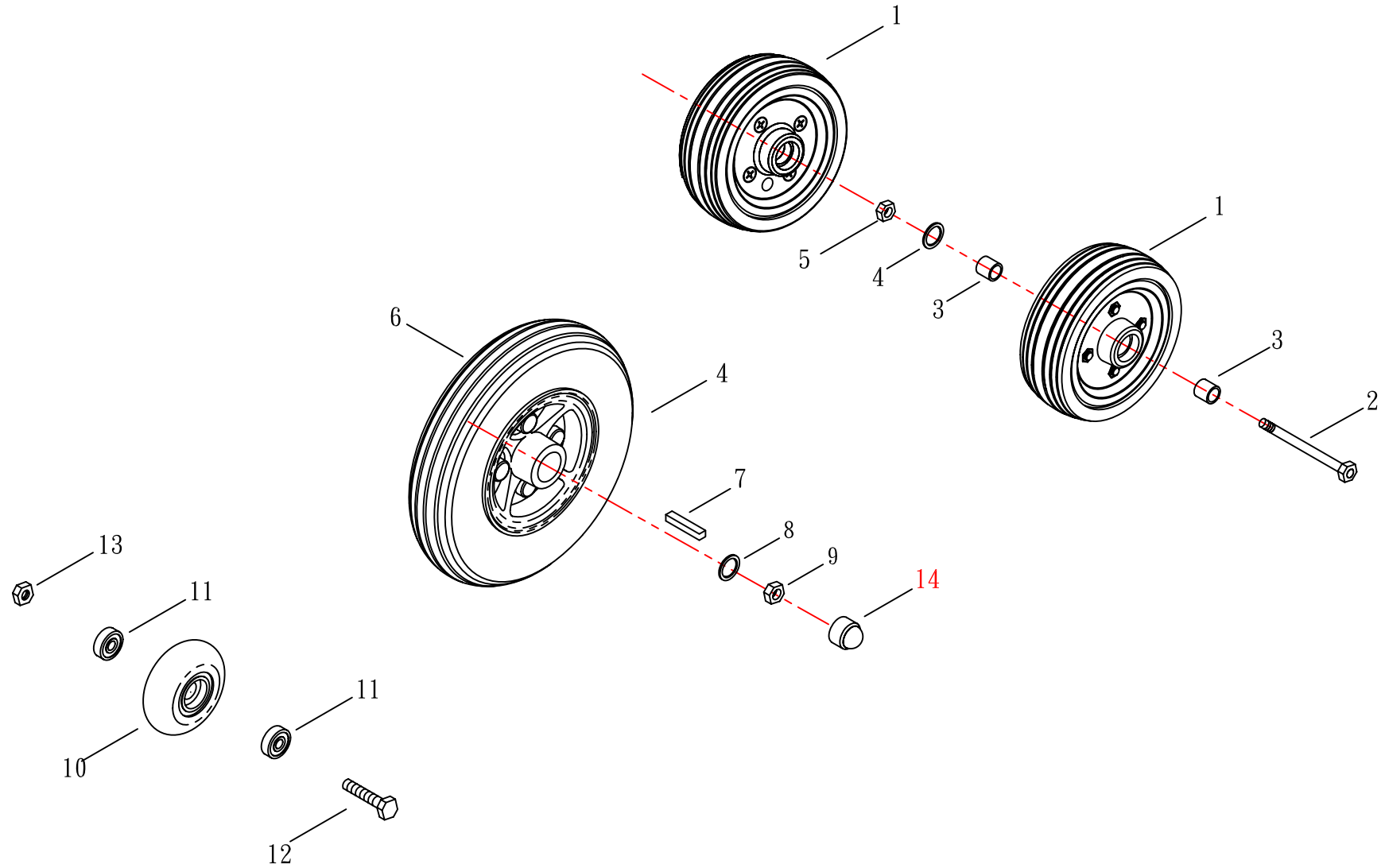
NO	ITEM NUMBER	DESCRIPTION	QTY	Price	NOTE	Modification
						No
1	332110-15000	FRONT SHROUD COMP.	1	US\$40.45		
2	564120-15000	COVER, FRONT WHEEL R	1	US\$1.29		
3	564220-15000	COVER, FRONT WHEEL L	1	US\$1.29		
4	502306-01675	BOLT , SHROUD FRONT (M6X16L)	4	US\$0.22		
5	2641-2310	BUTTON,COWLING	1	US\$0.36		
6	523110-15000	BASKET	1	US\$6.25		
7	503504-01605	TAPPING SCREW	2	US\$0.05		
8	505306-13005	WASHER	2	US\$0.03		
9	542110-15000	SHROUD , REAE	1	#N/A		
10	501405-01303	BOLT , SHROUD REAR (M5X13L)	2	US\$0.07		
11	542340-29500	HANDLE , REAR	1	US\$3.00		
12	501105-03505	BOLT , HANDLE (M5X35L)	4	US\$0.08		
13	342140-29501	COVER ASSEMBLY , BATTERY	1	US\$136.00		DC6-0181
14	517051-29501	TERMINALS FOR BAT. A	2	US\$1.40		DC5-0098
15	501105-29500	BOLT , SHROUD (M5X15L)	2	US\$0.17		DC5-0098
16	504500-29500	NUT	2	US\$0.15		DC5-0098
17	517056-29503	TERMINALS FOR BAT. B	2	US\$1.04		DC6-0039
18	503803-29500	TAPPING SCREW (ψ3X10L)	2	US\$0.14		DC5-0098
19	542203-15000	PLUG,REAR SHROUD	1	US\$0.30		
20	542201-58010	VEL-CRO	2	US\$0.15		DC6-0046



(FIG. 7) WHEEL

HS-1500

(修訂日期96.10.26)





(FIG.7) WHEEL

HS-1500

Revised Date :
2006.10.24
Modification
No

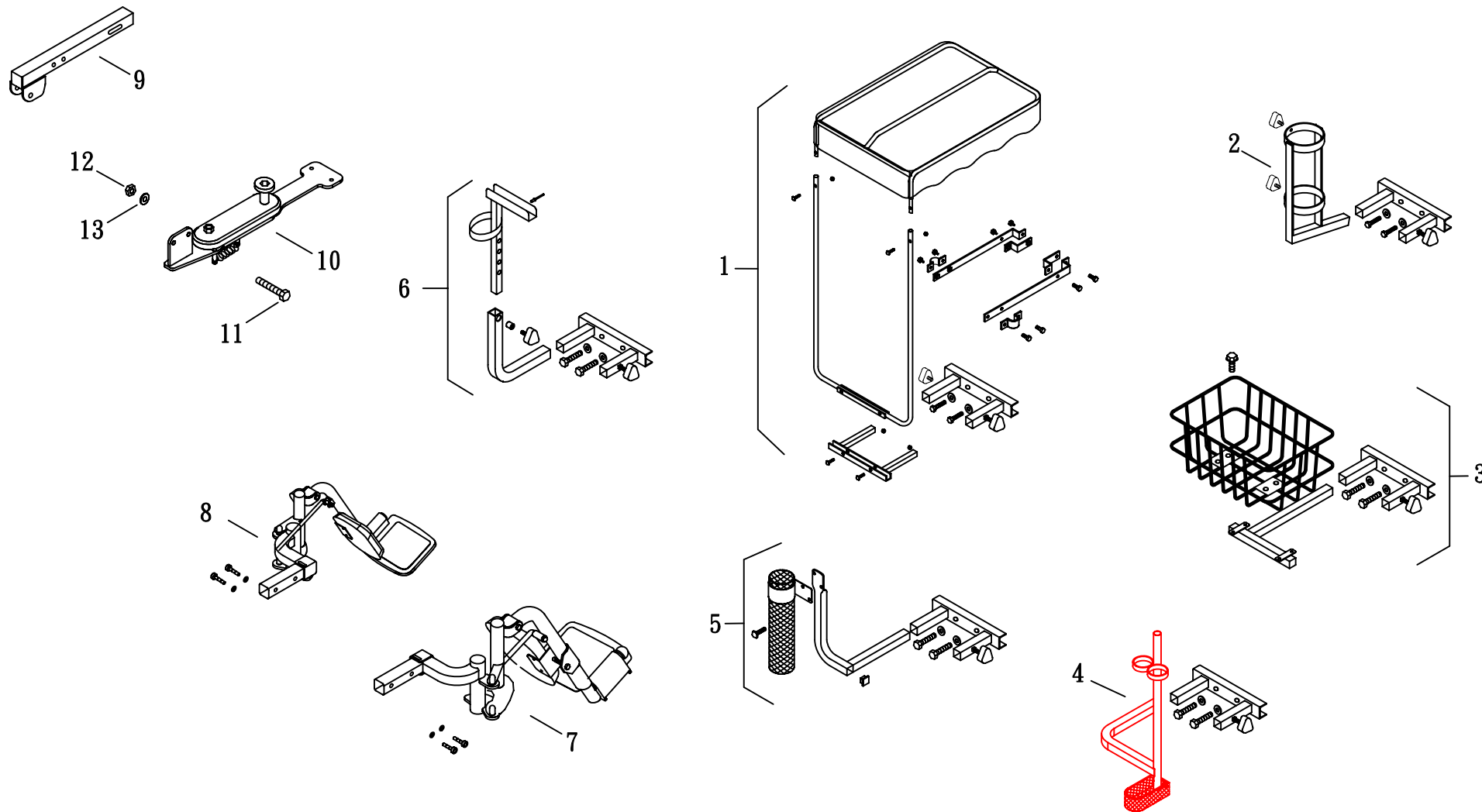
NO	ITEM NUMBER	DESCRIPTION	QTY	Price	NOTE	
1	361600-15000	FRONT WHEEL ASSEMBLY	2	US\$8.00		DC6-0172
2	502308-09575	BOLT , FRONT WHEEL (M8X95L)	2	US\$0.44		
3	509007-08155	SPACER , FRONT WHEEL	4	US\$0.25		
4	505308-18005	WASHER , FRONT WHEEL	2	US\$0.06		
5	504900-08135	NYLON NUT ,CAP	2	US\$0.10		
6	562500-15000	WHEEL ASSEMBLY , REAR	2	#N/A	(PU Tire)	
7	554710-15000	KEY	2	#N/A		
8	505310-22003	PLANE WASHER	2	US\$0.10		
9	504500-10173	NYLON NUT	2	US\$0.30		
10	564340-36000	WHEEL , ANTI-TIPPER	2	US\$0.35		
11	564350-56000	BEARING , ANTI-TIPPER WHEEL	4	US\$0.16		
12	502106-04015	BOLT , ANTI-TIPPER (M6X40L)	2	US\$0.10		
13	504500-06105	NYLON NUT (M6)	2	US\$0.03		



(FIG. 8) ACCESSORY

HS-1500

(修訂日期:97.10.31)





(FIG.8) ACCESSORY

HS-1500

Revised
Date:2008.07.07

NO	ITEM NUMBER	DESCRIPTION	QTY	Price	NOTE	Modification
						No
1	375000-28000	SUN SHADE ASSEMBLY	1	US\$58.00		
2	377300-28000	OXYGEN CYLINDER HOLDER COMP	1	US\$31.30		
3	377400-28000	REAR BASKET COMP	1	US\$19.00		
4	377100-28000	BRACKET COMP. , CANE	1	US\$20.00		
5	377200-28000	CANE HOLDER COMP	1	US\$16.60		
6	377600-28000	BRACKET ASSEMBLY , WALKER	1	US\$11.00		
7	378100-28000	DOUBLE LEGREST ASSY,R	1	US\$38.00		
8	378200-28000	DOUBLE LEGREST ASSY,L	1	US\$38.00		
9	573110-56000	BRACKET,REST	1	#N/A		DC6-0155
10	373500-28031	EXPANSION BOLT,BELT (P&G Vsi-50A)	1	US\$18.20		DC6-0155
11	502106-04015	BOLT (M6X40L)	2	US\$0.10		DC6-0155
12	504500-06105	NYLON NUT	2	US\$0.03		DC6-0155
13	505306-13005	PLANE WASHER	2	US\$0.03		DC6-0155